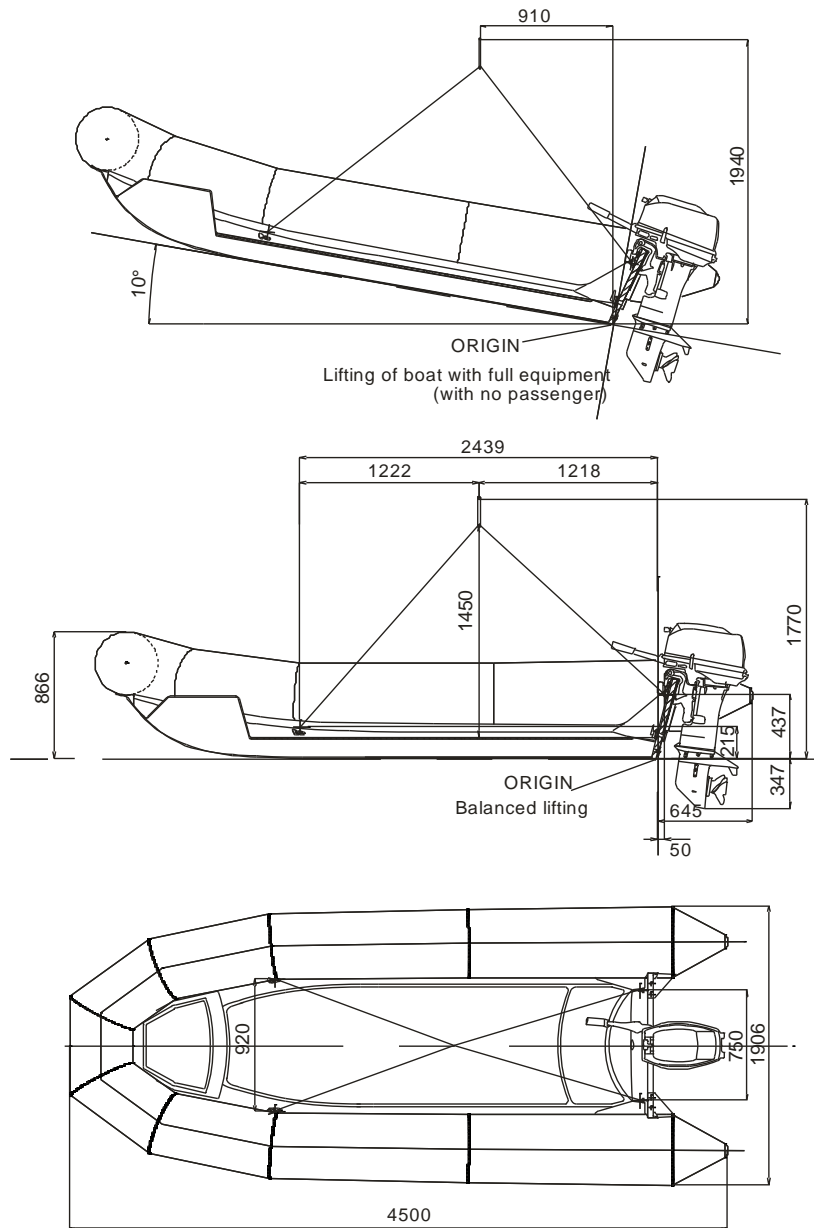


RESCUE BOAT RIBO 450 P SLING



*Bowsing line length = 1835 mm
Aft sling length = 1665 mm*

Overall dimensions with lifting sling

RIBO 450 21052012.doc

Issue: 6

Date: 21/05/2012

Dimensions and weight +/- 5%
SURVITEC SAS reserves the right to change specification without notice.
For installation, add minimum +10mm for clearance to dimensions of the container.

CAPACITY					
Number of persons: 6			Buoyancy volume: 1458 l / 51.48 cft		
DIMENSIONS					
Length		Width		Buoyancy diameter	
Overall	Inside	Overall	Inside	From 0.430 m / 1'5" to 0.487 m / 1'7"	
4.50 m / 14'9"	3.52 m / 11'7"	1.90 m / 6'3"	0.93 m / 3'1"		
SAFETY / INFLATION					
. 5 airtight compartments		. 5 inflation valves		. 5 overpressure valves (Leafield)	
WEIGHT					
With equipment & batteries		With equipment, engine (40 CV) & fuel		Operational weight with passengers (40 CV)	
EC : 246 kg / 542.1 lbs US : 212 kg / 467.2 lbs		EC : 406 kg / 894.8 lbs US : 372 kg / 819.8 lbs		EC : 901 kg / 1985.8 lbs US : 867 kg / 1910.8 lbs	
ENGINE					
Shaft length		Engine power		Fuel tanks	
long		25 CV 19 kw	40 CV 29.4 kw	2 x 25 l 2 x 6.6 US Gallon	
TOWING					
. 2 bow towing rings on hull		. 1 bow towing V with on load release shackle			
. 2 towing points on transom		. 1 aft towing V with snap hook			
HOISTING					
. 2 bow lifting points		. 2 aft lifting points on transom		. 1 lifting sling	
OPTIONS					
. Release hook: SWL ≥ 950 kg & ≤ 1.5 ton		. Overall cover			
. SOLAS Engines: Tohatsu M25C3 L - Maximum towing force: 188 daN Tohatsu M40C L - Maximum towing force: 250 daN Yamaha 25NM HOL - Maximum towing force: 184 daN Yamaha 40VM HOL - Maximum towing force: 313 daN					
. US Engines: Evinrude 25 Hp - Maximum towing force: 261 daN Evinrude 40 Hp - Maximum towing force: 233 daN					
. Propeller pitch: Evinrude		25 Hp: 3 x 13 x 19	40 Hp: 3 x 13 x 19		
Tohatsu		25 Hp: 3 x 9.8 x 8	40 Hp: 4 x 11.4 x 7.1		
Yamaha		25 Hp: 3 x 9 ^{7/8} x 8	40 Hp: 3 x 12 ^{1/4} x 9		

FABRIC			
. Neoprene orange fabric		. Buoyancy	
. Reflective tapes		. Peripheral rubbing strake	
HULL			
. GRP composite rigid orange hull		. Reflective tapes	
. 1 hull drain			
TRANSOM			
. 1 self bailer		. Engine aluminium mounting plate + wooden plate	
HANDLING			
. Inside lifeline (4.7m)		. Outside lifeline (12.1m)	
SEATING			
. 2 fixed benches		. 1 tilting bench	
EQUIPMENT FIXED TO THE RESCUE BOAT			
. 50m line	. Righting lines (2)	. Rescue quoits (2)	. Boarding ladder
. Boat hook	. Paddles (2)	. Positioning light	. Radar reflector
. Towing line (50m)			
OTHER EQUIPMENT			
. Compass	. Whistle	. Bailer	. Pump
. Sponge (2)	. Sea anchor	. Repair kit	. Manual
. First aid kit	. Floating knife	. Fire extinguisher	. Equipment bag
. Search light *	. Electrical torch	. Telescopic paddles	. Battery box
. Thermal protective aid (2)	. Torch spare bulb & batteries		
* Search light battery is not provided with the boat			

Approvals:	EC (MED) - USCG
-------------------	------------------------

RIBO 450 21052012.doc	Issue: 6	Date: 21/05/2012
-----------------------	----------	------------------

Dimensions and weight +/- 5%
SURVITEC SAS reserves the right to change specification without notice.
For installation, add minimum +10mm for clearance to dimensions of the container.